



ICS241 Compact Scale

- Easy operation
- Highly efficient data management
- Versatile industrial applications



Precise, Convenient, Smart, Efficient
For Counting and Weighing Applications

METTLER TOLEDO

A Great Fit For Many Industrial Applications

ICS241 is a new counting and simple weighing scale with applications for various industrial environments, e.g. production, warehouse and logistics, packaging and quality control. It offers an easy-to-use human-machine interface, thanks to intuitive LCD display and alphanumeric keypad, for easy and fast operation. Smart database management improves productivity, helping you avoid operator errors and reduce risk and cost. It is a great fit in many industrial applications, e.g. label printing, mobile operation and dual-scale operations.

Smart Database Management

Transaction database can save each counting/weighing result and up to 30,000 entries via SD card for traceability. Export .csv files from SD card to PC in MS Excel.

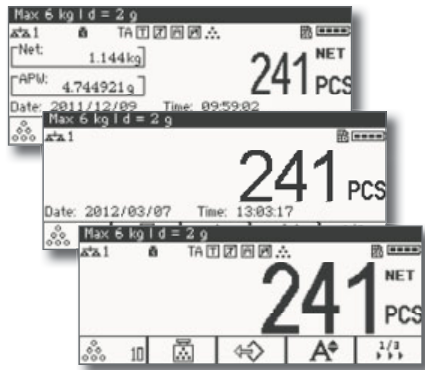


	A	B	C	D	E	F	G	H	I
1	Rec. no.	Date	Net	Tare	Gross	Art. name	Art. no.	APW	Quantity
2	000 005	2012/1/4	1.500 kg	1.500 kg	3.000 kg	Screw	1001	29.99933	50
3	000 006	2012/1/4	1.500 kg	1.500 kg	3.000 kg	Screw	1001	29.99933	50
4	000 007	2012/1/4	1.500 kg	1.500 kg	3.000 kg	Screw	1001	29.99933	50
5	000 008	2012/1/4	3.000 kg	1.500 kg	4.500 kg	Screw	1001	29.99933	100
6	000 009	2012/1/4	3.000 kg	1.500 kg	4.500 kg	Screw	1001	29.99933	100
7	000 010	2012/1/4	4.500 kg	1.500 kg	6.000 kg	Screw	1001	29.99933	150

ICS241 provides article database, managing up to 1,550 entries via SD card. Recall the article information with a barcode scanner to easily manage thousands of article IDs.

Recall record	
0004	Art. name: Screw
0005	Art. no.: 0001
0006	Tare: 1.500 kg
0007	APW: 29.99933 g
ESC	↑ ↓ 🔍 OK





Intuitive LCD Display

Dot-Matrix LCD displays shows text and graphics for excellent operator guidance. All relevant information is shown on one screen. Three different display styles are available for your convenience.



Batteries for Mobile Operation

The ICS241 has an easily accessible battery compartment with six D-size dry or rechargeable batteries for self-contained operation time of up to 100 hours.



Multiple Interfaces

ICS241 offers seamless and reliable connectivity to external devices. Connect to barcode scanners, printers, light alarms, a second scale or computers to speed up the counting process via RS232, Digital I/O and analog second scale interface. ICS241 can be integrated into an existing ERP or Warehouse Management System.



Alphanumeric Membrane Keypad

Configurable softkeys for fast access to key function, such as sampling and counting. Numeric keypad for fast input of tare or sample weights.



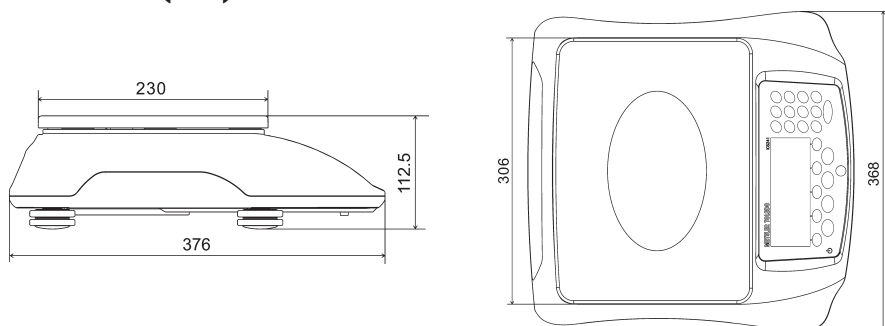
Customized Label Printing

Label templates can be flexibly designed according to your needs and saved on SD cards for easy printing.

Technical Details

Capacity	3 kg, 6 kg, 15 kg, 30 kg
Readability	30,000 d
Units	g, kg, lb, oz, t
Display	Dot-Matrix LCD with white backlight
Power	Adapter, 100-240V/50Hz 6 pcs D type battery
Interface	One RS232 for standard Option COM2 (one RS232 or Digital I/O) 2nd analog scale interface
Material	Housing: Plastic Load Plate: Stainless steel, AISI304
Platform Size	230 x 360 mm
Language	English, Chinese
Functions	Simple weighing, counting Totalizing, Check counting/weighing
Applications	Transaction database Up to 30,000 records via SD card
	Article database Standard 50 IDs, up to 1,550 IDs via SD card
	Label printing Zebra label printer and customized template

Dimension (mm)



www.mt.com

For more information

METTLER TOLEDO

Industry/Retail

Add: 111 West Tai Hu Road, Xinbei District,
Changzhou, Jiangsu
Tel: 0519-86642040
Fax: 0519-86641991
E-mail: ad@mt.com

Laboratory/Process/Product Inspection

Add: 589 Gui Ping Road, Shanghai
Tel: 021-64850435
Fax: 021-64853351
E-mail: ad@mt.com

